

COMPANY OVERVIEW



DELTA PD PUMPS PVT. LTD.
(A DELTA CORPORATION GROUP COMPANY)

For all your pumping needs since 1968...

DELTA PD PUMPS PVT. LTD.
(A DELTA CORPORATION GROUP COMPANY)

For all your pumping needs since 1968...

Company overview - Incorporation

- Mr V.S.Cowlagi incorporated the company at Kolkatta, India in 1967.
- R-1-G, internal gear and R-20-DS, shuttle block pumps were the first pumps developed.
- The very first pump delivered was for lifting furnace oil from underground storage tank to deliver at overhead day tank for a refractory outside Kolkatta.
- In 1968 Mr. Cowlagi shifted base to Mumbai and was joined by Mr. M.H.Shah and Mr. Turakhia. Delta Corporation was formed.
- The company went on adding products keeping focus on the positive displacement technology.



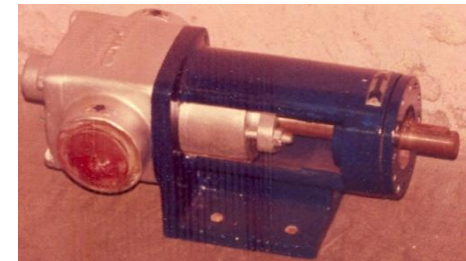
Mr. V.S.Cowlagi



Mr. M.H.Shah



R-1-G Pump



R-20-DS Pump

Product Portfolio – Gear Pumps



Internal Gear Pumps
Capacity upto 48 m³/hr
Diff. Pressures upto 14 bar



Shuttle Block Pumps
Capacity upto 58 m³/hr
Diff. Pressures upto 6 bar



•Rotary Trochoidal Gear Pumps
•Capacity upto 11 m³/hr
•Diff. Pressures upto 8 bar

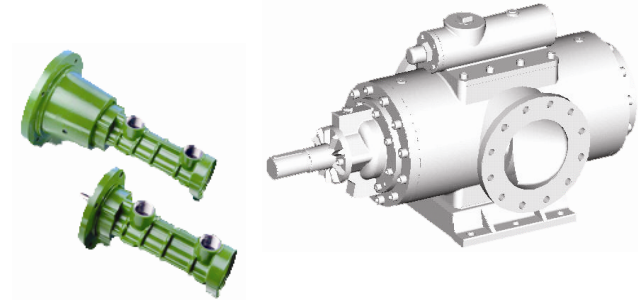


•External Gear Pumps
•Capacity upto 180 m³/hr / 11 m³/hr
•Diff. Pressures upto 12 bar / 200 bar

Product Portfolio – Screw Pumps, Process Pumps



Single Screw Pumps
Capacity upto 140 m³/hr
Diff. Pressures upto 24 bar



Three Screw Pumps
Capacity upto 320 m³/hr
Diff. Pressures upto 210 bar

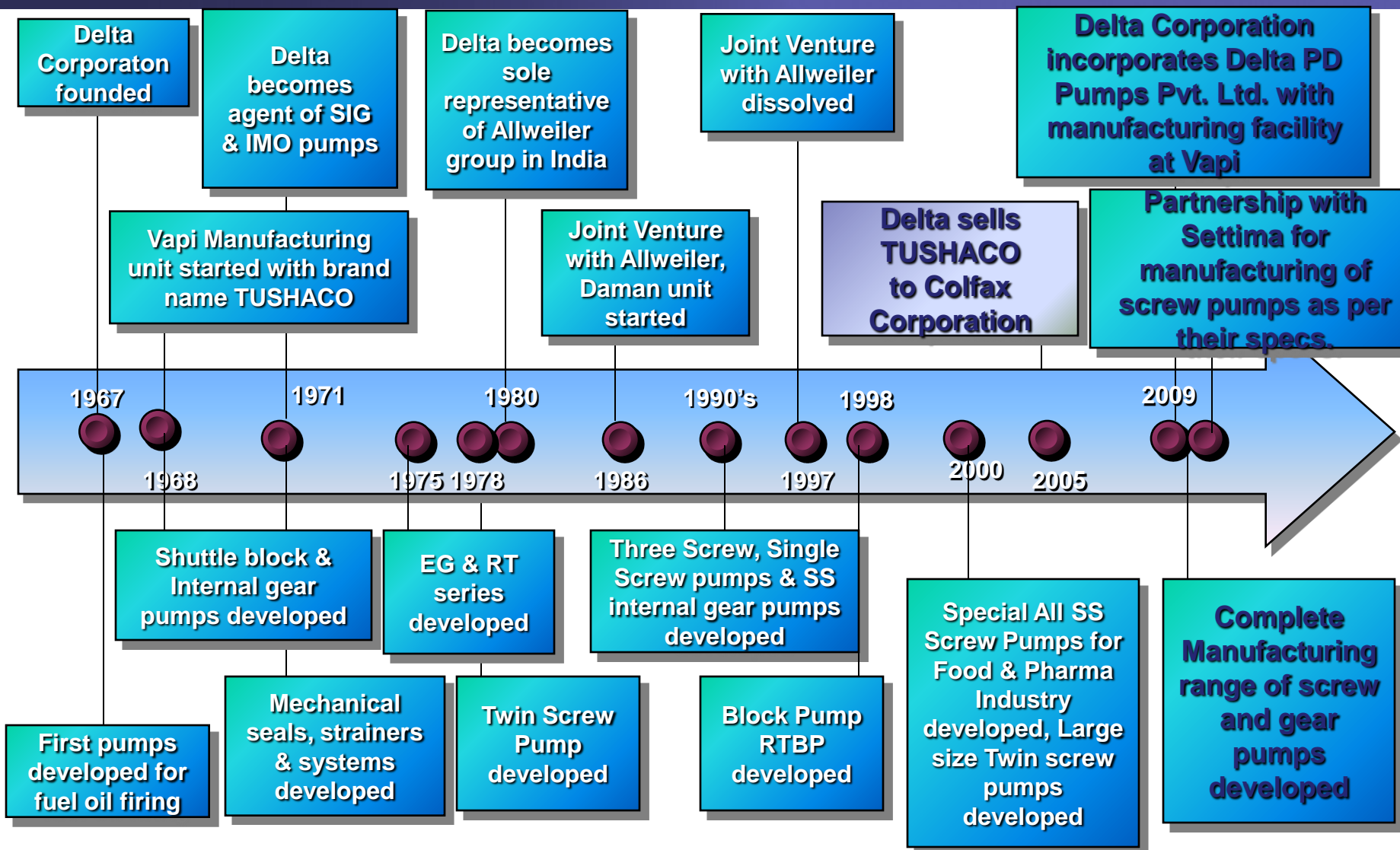


Twin Screw Pumps
Capacity upto 500 m³/hr
Diff. Pressures upto 16 bar



Centrifugal Pumps
Capacity upto 1450 m³/hr
Max. Head upto 145 m

Historical Milestone of Progress.



For all your pumping needs since 1968...

Key End Markets Served ones



Key Markets

Applications

Power Generation

Fuel unloading, transfer, burner and injection; lubrication systems

Oil & Gas, Refineries

Pipeline services, unloading and loading, refinery process services, Bitumen processing in Refineries application in blending plants, process pumping at Refineries and oil blendings and feed processing plants.

Marine

Bulk transfer, Bitumen/fuel and lubricating oil unloading. Oil, hydraulics, and fuel pumps; sludge and wastewater pumps.

Navy

Oil, hydraulics, and fuel pumps; sludge and wastewater pumps

CPI & HPI

Transfer of hazardous chemicals, lubricating oil, paint, varnishes, and polymers

Food & Pharma

Transfer of sticky, pasty and solids laden liquids

For all your pumping needs since 1968...

Locations

- Head Office - Mumbai
- Domestic Marketing and After Sales Service unit - Mumbai

Delta PD Pumps Pvt. Ltd.
201, Wadala Udyog Bhavan,
Naigaum Cross Road, Wadala,
Mumbai 400031

- Works - Vapi

Delta PD Pumps Pvt. Ltd.
C - 1/26/13, Phase 3,
Near Sun Pharma, GIDC,
Vapi 396195



OUR STRENGTHS :

- Mr. M.H.Shah (a professionally chartered engineer) has experience of 40 years and is the Managing Director of Delta group company since inception of the company.
- Experienced manpower in design, drawing , development, production, application engineering & trouble shooting.
- Lean manufacturing setup, flexible to adapt to the changes as required to suit customer requirements.
- Delta can respond to service requirements when called for all over the country with experienced service personnel.

ISO 9001:2008 Certification

Quality First

Our works at Vapi has been certified with

ISO 9001:2008 certification.



QUALITY MANAGEMENT SYSTEM

This is to certify that:

DELTA PD PUMPS PVT. LTD.
 C - 1, 2613, NEAR SUN PHARMA, THIRD PHASE, G.I.D.C.
 VAPI - 396 195, GUJARAT, INDIA

Hereby granted the Certificate Number : **BN7023/6347:0413**

Subsequent to the assessment conducted on 29-Mar-2013 and the organization found operating a Quality Management System which complies with the requirements of

ISO 9001:2008
 for the following scope :

Manufacture and Supply of Different Types of Positive Displacement Pumps & Pumping System

Originally Registered: 04 Apr 2013 Latest issue: 04 Apr 2013 Expiry Date: 03 Apr 2016

For BSCIC CERTIFICATIONS PVT.LTD.

Page 1 of 1


 Sanjay Seth
 Managing Director

Validity of this Certificate is subject to Annual Surveillance Audits to be done Successfully on or before 29-Mar-2014 and 29-Mar-2015 resp.

(In case if Surveillance Audit is not allowed to be conducted; this Certificate shall be Suspended/Withdrawal).

Please Re-validate this certificate's status at <http://bscic.com/admincontrol/certificatestatus.php> or www.bsc-icc.com at REGISTRATION STATUS.
 This Certificate of Registration is granted subject to relevant provisions of the BSCIC Certifications PVT. LTD, Contract Terms & Scheme for Registration Form B 018 (Latest Version). Please see B 018 at our website www.bsc-icc.com
 The certificate of Registration remains the property of BSCIC Certifications Pvt. Ltd. and shall be returned immediately upon request.
 BSCIC Headquarters: IInd Floor, SCO 150, Sector - 21 C, Faridabad 121001 Haryana, India.

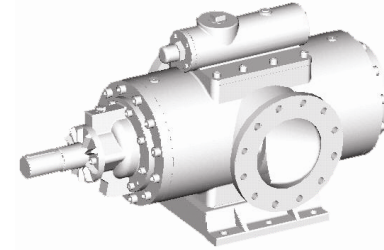
Product Portfolio



Single Screw Pumps



Three Screw Pumps



Shuttle Block Pumps



Twin Screw Pumps

**COMPLETE RANGE OF
POSITIVE DISPLACEMENT PUMPS
FROM ONE SOURCE**



•External Gear Pumps



•Rotary Trochoidal Gear Pumps



Internal Gear Pumps

SINGLE SCREW PUMPS

TYPICAL APPLICATIONS

Bilge Transfer

Sludge Transfer

Centrifuge Charging, Transfer, Filter Charging



SINGLE SCREW PUMPS

TYPICAL PARAMETERS

Temperature: -30 to +100 C

Viscosity: 1cSt to 100,000 cSt or more

Pressure: upto 24bar

Capacity : upto 100 m³/hr

Sealing: Stuffing box/ mechanical seal

Mounting: Horizontal foot mount/ vertical pedestal

Accessories: As per customer requirements.

Single Helical Rotor



Double Helical Stator



Profile of the Cavity between the rotor
and stator



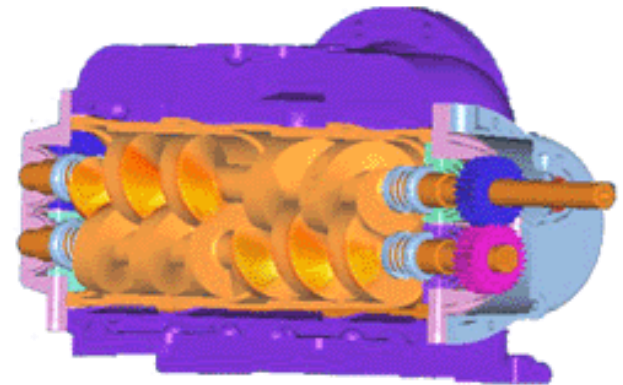
TWIN SCREW PUMPS

TYPICAL APPLICATIONS

Loading / unloading of fuel oil and other products from: Barges, Ships and Tankers.

Bulk cargo handling.

Lubrication, circulation and cooling.



TWIN SCREW PUMPS

TYPICAL PARAMETERS

Temperature: -30 to +350 C

Viscosity: 1cSt to 50,000 cSt or more

Pressure: Normal 16 bar/ 24bar, with special designs upto 50 bar

Capacity : upto 400 m³/hr

Specialties: Partial heating/ complete heating/ cooling arrangements

Sealing: Stuffing box/ mechanical seal with or without quenching/
heating/ cooling

Mounting: Horizontal foot mount/ vertical pedestal

Accessories: As per customer requirements.



THREE SCREW PUMPS

TYPICAL APPLICATIONS

Fuel and Diesel Oil Handling

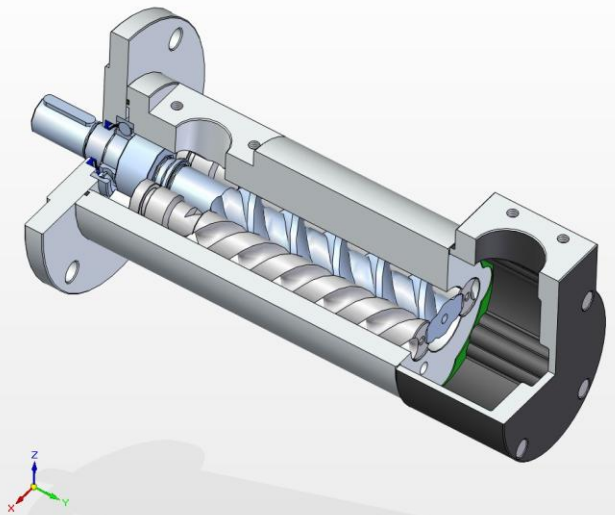
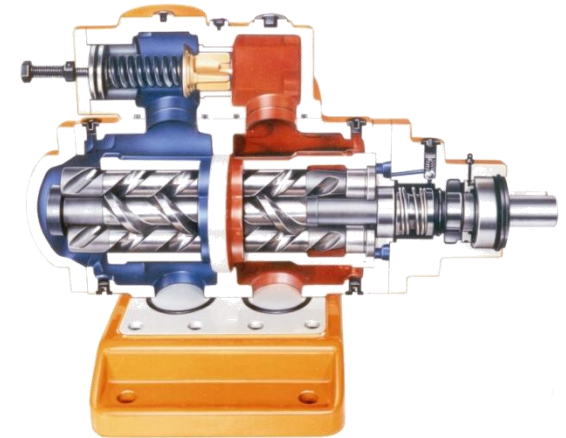
Avcat transfer.

High Pressure steam boiler ignition.

Diesel engines feeding and ignition


Fuel Oil transfer(filtration, loading and unloading

Centrifuged Oil

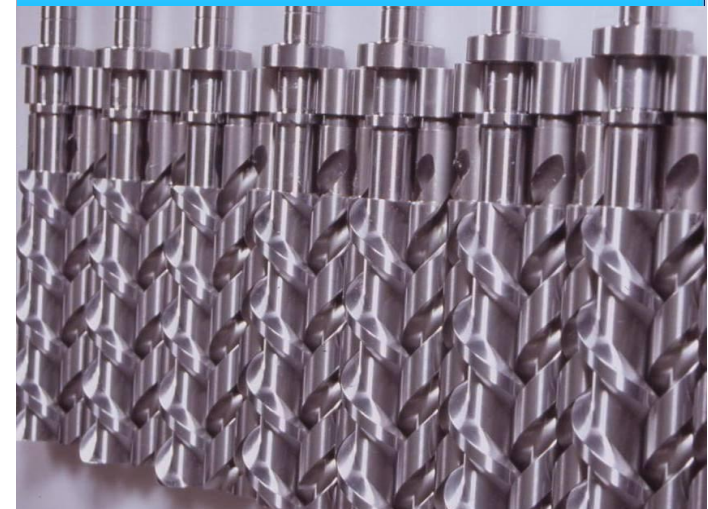
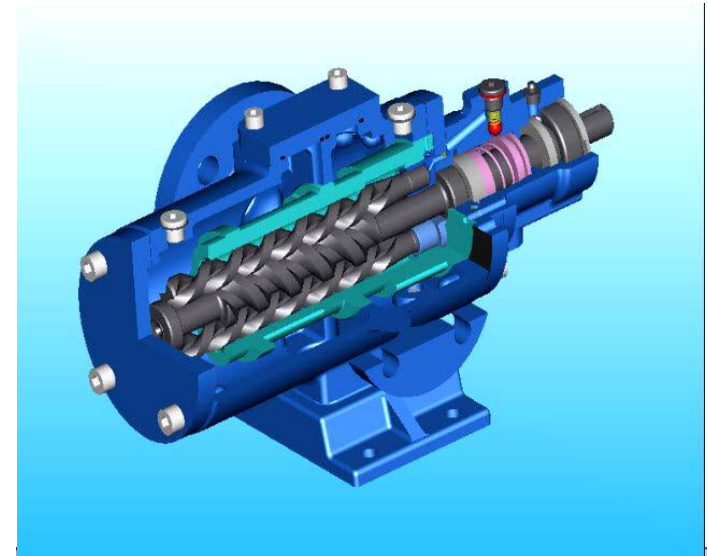


THREE SCREW PUMPS

Salient Features



Highly reliable and efficient pump
Insensitive to varying viscosities
Profile ground rotors
Low noise and vibrations
Axial flow - no churning of liquid
Very good suction capabilities
Negligible maintenance



THREE SCREW PUMPS

TYPICAL PARAMETERS

Temperature: -10 to +250 C

Viscosity: 1cSt to 30,000 cSt or more

Pressure: Upto 80 bar

Capacity : upto 200 m³/hr

Specialties: Partial heating/ complete heating/ cooling arrangements

Sealing: Stuffing box/ mechanical seal with or without quenching/
heating/ cooling

Mounting: Horizontal foot mount/ flange mounting / vertical pedestal

Accessories: As per customer requirements.



INTERNAL GEAR PUMPS

TYPICAL APPLICATIONS

Abrasive & corrosive liquid pumping

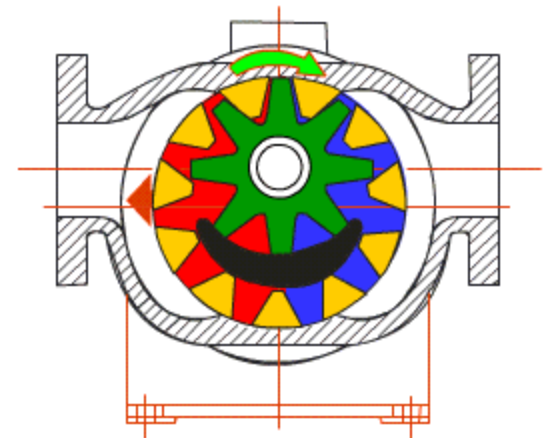
Pumping viscous, toxic & non lubricating liquids

Metering applications

Pumping shear sensitive liquids

Pumping of food products like chocolate, creams etc..

Pumping of additives and asphalts



INTERNAL GEAR PUMPS

TYPICAL PARAMETERS

Temperature: -10 to +250 C

Viscosity: 2cSt to 100,000 cSt or more

Pressure: Upto 7 bar

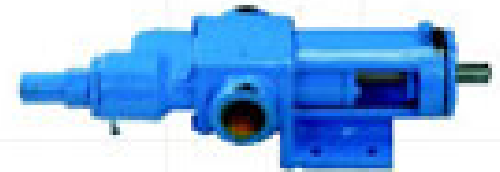
Capacity : upto 800 LPM

Specialties: Partial heating/ complete heating/ cooling arrangements

Sealing: Stuffing box/ mechanical seal with or without quenching/
heating/ cooling

Mounting: Horizontal foot mount/ flange mounting

Accessories: As per customer requirements.



ROTARY TROCHOIDAL GEAR PUMPS

TYPICAL APPLICATIONS

Portable pumps for transfer of fuel oil and lube oil



ROTARY TROCHOIDAL GEAR PUMPS

TYPICAL PARAMETERS

Temperature: upto 110 C, higher temperature with special construction

Viscosity: 2cSt to 500 cSt

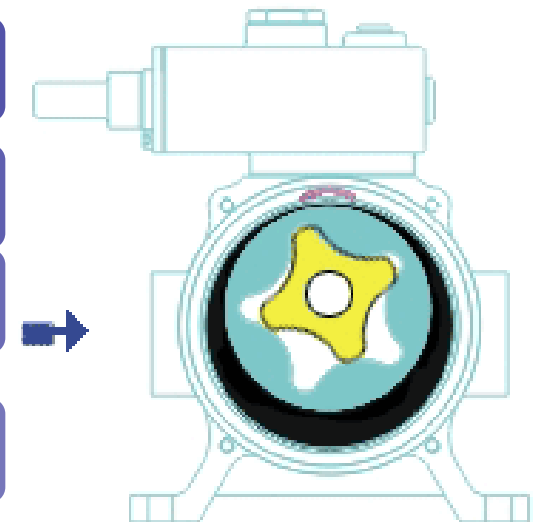
Pressure: Upto 8 bar

Capacity : upto 200 LPM

Sealing: Oil Seal/ mechanical seal

Mounting: Horizontal foot mounting / flange mounting

Accessories: As per customer requirements.



EXTERNAL GEAR PUMPS

TYPICAL PARAMETERS

Temperature: upto 110 C, higher temperature with special construction

Viscosity: 2cSt to 30,000 cSt

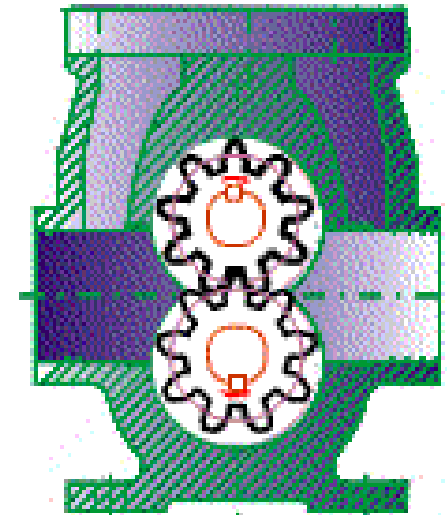
Pressure: Normal Upto 12 bar

Capacity : upto 100 m³/hr

Sealing: Oil Seal/ mechanical seal

Mounting: Horizontal foot mounting / flange mounting

Accessories: As per customer requirements.



TESTING FACILITIES

DELTA has multiple test beds

100% testing of all the pumps

Third party testing by reputed inspection agencies like ABS, IRS, SGS, etc

Customer witness of performance tests

Mechanical run test of pumps



After Market Spares & Service Support

- DELTA maintains inventory of critical spares and consumables at their works so as to enable quick deliveries of components for emergency customer requirements.
- DELTA's qualified service engineers can assist for start up commissioning activities when called for by customers.
- Quick professional response to service requests receives top priority. All service technicians have access to up-to-date technical information for our products. We give you the support you need, when you need it.
- Re-conditioning pump in our work shop will be carried out carefully and is subjected to the quality specs of new equipment. DELTA know-how and a qualified, long experienced staff guarantee optimum reconditioning.
- DELTA offers Maintenance Contracts to customers interested in scheduled and planned maintenance which is less costly than equipment breakdown.
- DELTA offers training programs at customer premises, that cover major and minor repairs, preventive maintenance, and troubleshooting for the complete product line

PRODUCT PICTURE



For all your pumping needs since 1968...

CUSTOMERS



For all your pumping needs since 1968...



DELTA P D PUMPS PVT. LTD.
201, WADALA UDYOG BHAVAN,
NAIGAUM CROSS ROAD,
WADALA, MUMBAI 400031
Tel. : 0091-22-24153185
Fax.: 0091-22-24143299
E-mail : info@deltapdpumps.com
Website : www.deltapdpumps.com

THANK YOU